

DECO VISION



精美灯盘安装手册
www.decovisionpu.com

1 Ready ?

原创设计，完整的系列产品带来的强烈的视觉冲击力，提供全套设计方案与设计支持

Original design, strong visual impact brought by a complete series of products, providing a full set of design solutions and design support

确定表面与环境情况 Determine the surface and environmental conditions



在室温下储存型材和粘合剂，胶水在安装24小时后生效

Store the profile and adhesive at room temperature, the glue will take effect 24 hours after installation



无明显灰尘与颗粒
No obvious dust and particles



擦拭表面
Wipe the surface



墙面或顶面平整
Flat wall or top surface



干燥环境
Dry environment



无油渍
No oil stains

2 Set ?

安装条件工具说明 Installation condition tool description

建议使用SIKAFLEX无溶剂环保型聚氨酯粘接胶—白色

Easy to finish with a quality paint; UV-stable after final painting



密封墙/天花板
Seal wall/ceiling



模板之间的接缝
Joints between mouldings



一胶多用 全屋适配

One glue multi-purpose
whole house adaptation

西卡聚氨酯建筑通用密封胶
Sika polyurethane building general
purpose sealant

防水密封
Water-proof packing

耐候耐腐蚀
Resistance to weather and corrosion

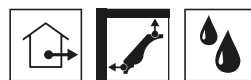
室内外黏贴
Indoor and outdoor adhesive



当处于室内，面对多孔和干燥的表面时
Interior, porous and dry surface



对重物时
Heavy profiles



当处于室外，面对光滑和湿润的表面时
Exterior, non-porous or humid surface

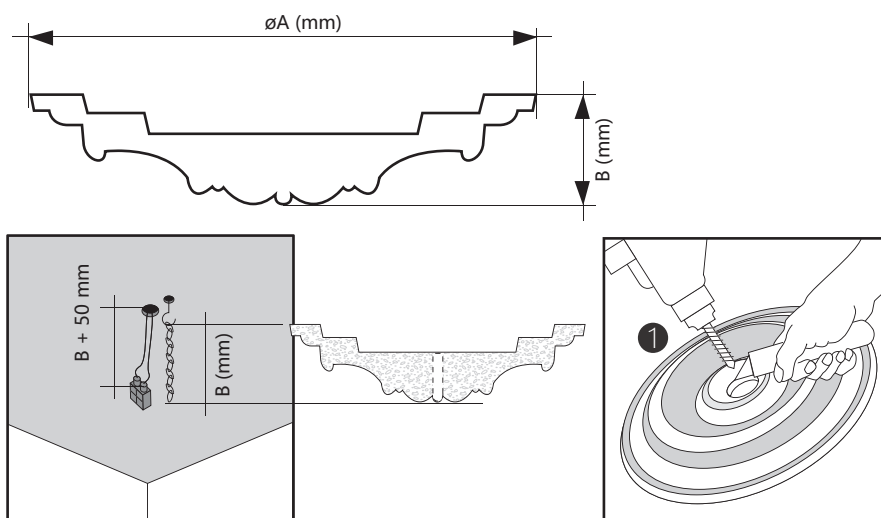
3 GO !



1 Go !

精美灯盘

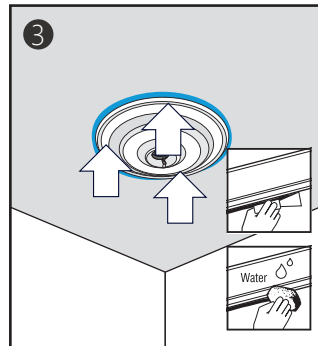
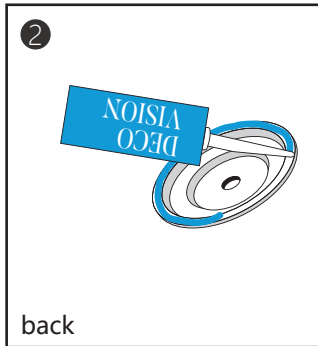
Ceiling Medallions



安装视频和手册
DecoVision 胶水说明操作

扫描二维码或访问 WWW.DECOVISIONPU.COM 安装

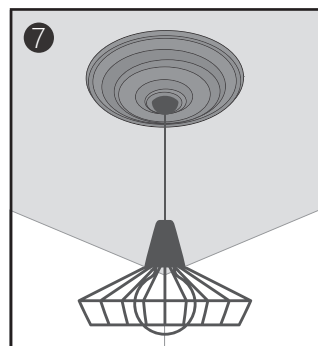
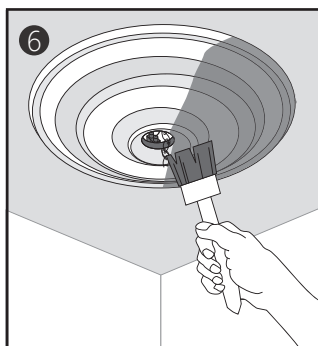
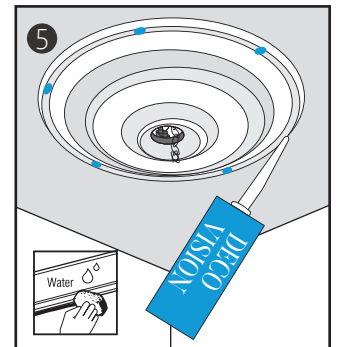
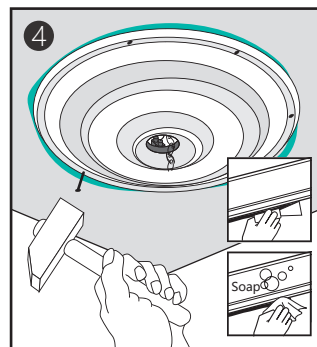
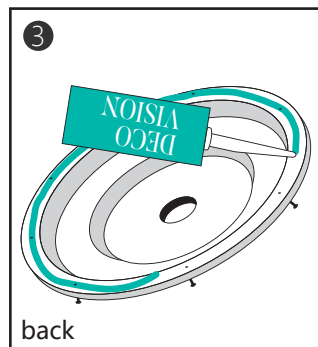
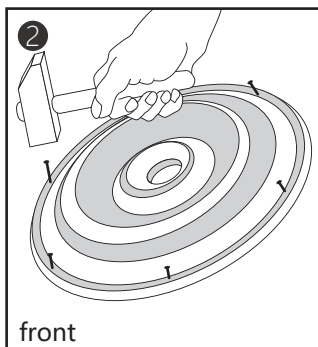
Ø < 65cm 当灯盘直径小于65mm时
Joints between mouldings



- ▶ 在灯盘的贴胶面涂上西卡胶;
- ▶ 在顶面上贴紧安装后清理溢出的胶水

Coat the adhesive surface of the lamp panel with Sika glue;
Clean up the spilled glue after close installation on the top surface

Ø > 65cm



- ▶ 在灯盘正面钉上钉子（不要钉紧）；
- ▶ 在贴胶面涂上西卡胶；
- ▶ 在顶面上贴紧后将钉子钉紧后擦除溢出的胶水；
- ▶ 使用水性原子灰修补钉眼；
- ▶ 之后就可以涂上喜欢的颜色啦~

Nail the front of the lamp panel (do not nail it tightly);
Apply Sika glue on the adhesive surface;
Fix the nails tightly on the top surface and wipe off the overflowing glue;
Use water-based putty to repair nail holes;
Then you can paint your favorite color~